

# Arched GreenHouse

## Material List:

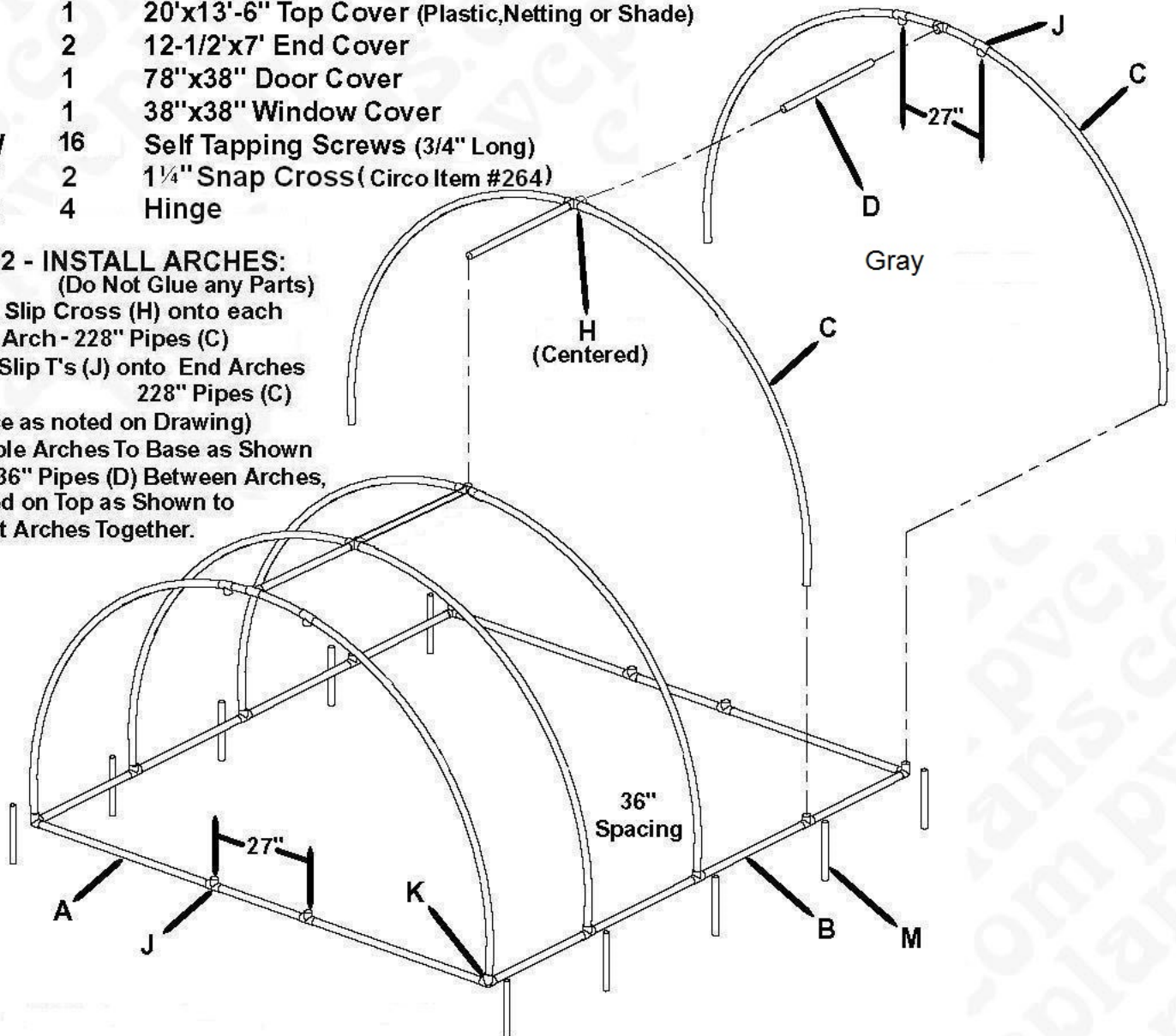
All Pipe is 1/4" Sch 40 PVC  
(unless otherwise specified)

Item	Qty	Description
A	2	138" Pipe
B	2	150" Pipe
C	5	228" Pipe
D	4	36" Pipe
E	4	72" Pipe
F	10	27" Pipe
G	2	67" Pipe
Blue H	3	1/4" Slip Cross (Circo Item #134-F-Slip)
White I	60	1/4" Snap Clamps 4" (Circo Item #14)
Black J	24	1/4" Slip-T's (Circo Item #64-FL)
Gray K	4	1/4" 3-way Connector (Circo Item #34-F)
Green L	8	1/4" 90 deg. Elbow (Circo Item #114-FS)
M	10	12+'' Ground Stake (Wood or Metal)
P	1	20'x13'-6'' Top Cover (Plastic, Netting or Shade)
S	2	12-1/2'x7' End Cover
T	1	78"x38" Door Cover
U	1	38"x38" Window Cover
W	16	Self Tapping Screws (3/4" Long)
White Y	2	1/4" Snap Cross (Circo Item #264)
Alum. Z	4	Hinge

## STEP 1 - ASSEMBLE BASE FRAME:

(Do Not Glue any Parts)

- Slide 3 Slip T's (J) onto 150" Pipes (B) and 2 Slip T's (J) onto 135" Pipes (A) (Space as Noted on Drawing)
- Connect Pipes at Corners with 3-Way's (K)
- Drive 5 Stakes (M) into the Ground on Each Long Side of the Base. Leave 2" of Stake Above Ground to Secure Base



## STEP 2 - INSTALL ARCHES:

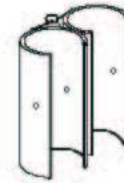
(Do Not Glue any Parts)

- Slide a Slip Cross (H) onto each Middle Arch - 228" Pipes (C) and 3 Slip T's (J) onto End Arches 228" Pipes (C) (Space as noted on Drawing)
- Assemble Arches To Base as Shown
- Attach 36" Pipes (D) Between Arches, Centered on Top as Shown to Connect Arches Together.

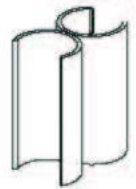
# Arched GreenHouse

Page 2 of 3

Hinge (Z)



Latch (Y)



## ASSEMBLE DOOR & DOOR FRAME:

1. Slide a Slip-T (J) onto each Door Frame Side (E)  
Locate 4" Down from Top.
2. Snap Hinges and Latch onto Door Frame Sides  
Positioned as Shown in Fig. 1
3. Connect the Two Door Frames with 27" Pipe (F)  
Assemble into Slip-T's on Arch and Base on  
Front of GreenHouse.
4. Assemble Door as Shown  
in Fig 1. with Middle Support Pipe (F) Located in  
the Center of the Door.  
Use screw to attach Latch to frame (not door)  
Snap Hinges onto Door and Frame as shown.  
Secure with screws.

Fig. 1

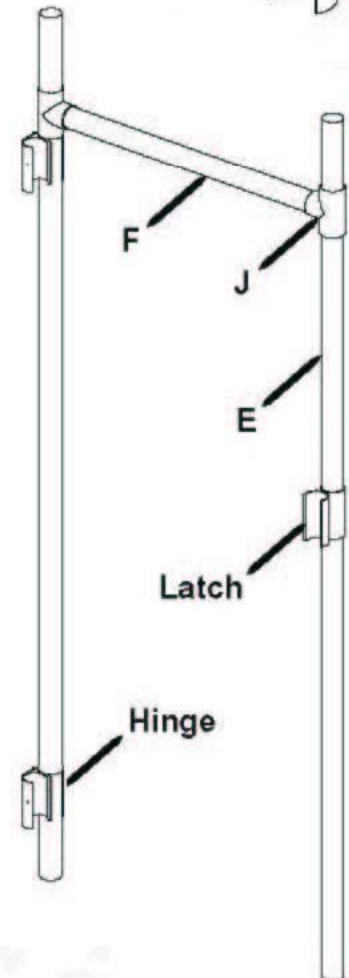
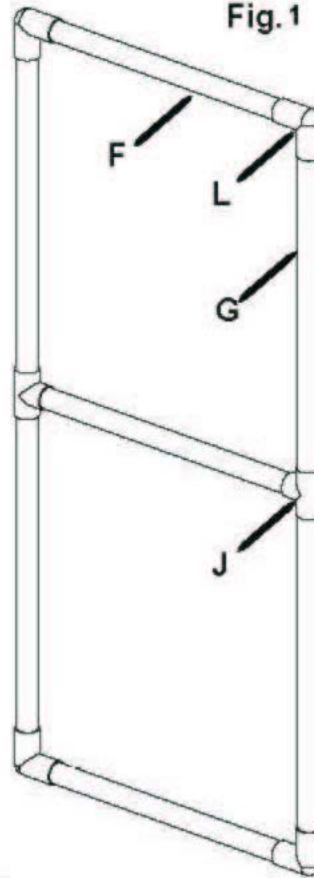
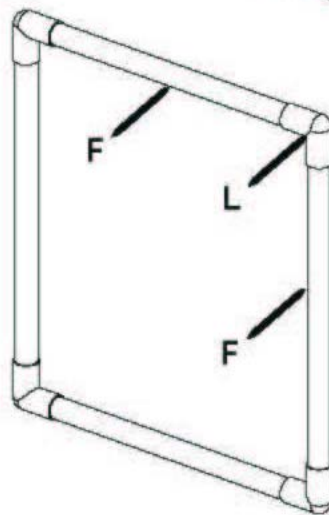
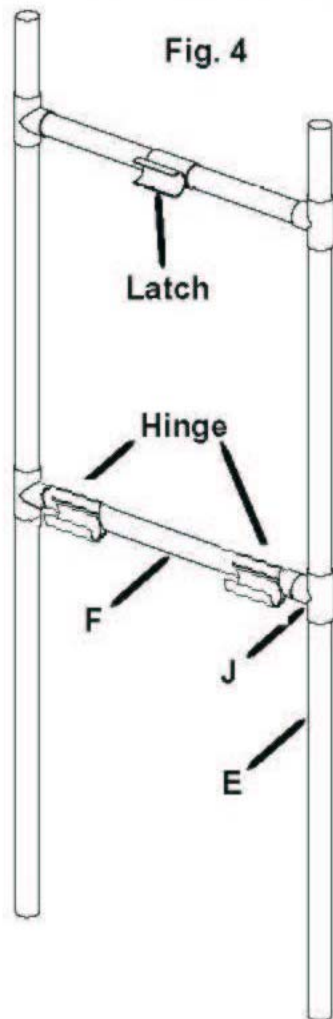


Fig. 4



## ASSEMBLE WINDOW & WINDOW FRAME:

1. Slide 2 Slip-T's (J) onto Window Frame Sides (E)  
Locate 4" Down from Top and 27" Apart.
2. Connect Top and Bottom Window Frame to Side  
Window Frames and Assemble into Slip-T's on  
Arch and Base on Back of GreenHouse.
3. Assemble Window as Shown in Fig 4.
4. Use screws to attach Hinges & Latch  
(don't screw latch to window)

# Arched GreenHouse

Page 3 of 3

## COVER AND SECURE THE ARCHED GREEN HOUSE:

1. Cover the Door with Covering (T) Use SnapClamps (I) Spaced about 2 ft. apart to Secure the Covering to the Door.
2. Cover the Window with Covering (U) Use SnapClamps (I) Spaced about 2 ft. apart to Secure the Covering
3. Cover the Top with Covering (P) Using SnapClamps (I) Spaced about 2 ft. apart to Secure the Covering to the Top.
4. Cover the Ends with Covering (S) Using SnapClamps (I) Spaced about 2 ft. apart to Secure the Covering to the Ends.
5. Glue Fittings as Needed.
6. Screw Self Tapping Screw (W) into any Clamps, Hinges, or Latches as Needed.
7. Secure Green House to Gound with Stakes, Sandbags or Blocks.
8. Trim Excess Coverings.

